

FlexCube 240

Flexible feeding system for flat and cubic parts and components from 5 to 40mm and for elongated parts up to 50mm

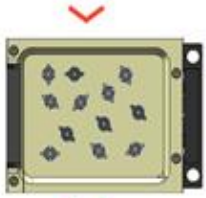
The FlexCube 240 is the ideal feeding system when high flexibility in production is required. Vibration platforms are usually used together with an image processing system and a robot for feeding parts with different geometries. Thanks to the patented 3-axis system, even sensitive parts can be fed reliably.

The parts are evenly distributed on the surface of the feeder and, if required, can also be aligned in all directions using structured base plates and intelligent vibration movements. Entire families of parts can be separated and fed with one feeding system, allowing the system to be used for future tasks.

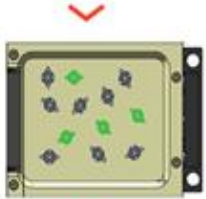
Feeder Advantages:



Bulk parts are dropped on vibratory platform



Parts are spread evenly thanks to Asyri's intelligent 3-axis vibration



Vision system (e.g. Asyri SmartSight) detects which parts are correctly oriented



Parts are picked and assembled by robot

- **Compatible with all part geometries:** 99% of parts can be fed, including complex geometries and delicate materials
- **Minimum production changeover times** enable flexible, future-proof production systems
- **Extremely gentle part handling due to 3-axis vibration technology:** parts can be moved in all directions, including the optimal choice of flipping amplitude for each part. Minimal abrasion as parts do not need to be recirculated. Platform purge possible
- **Advanced reliability and durability** due to State-of-the-Art Voice Coil technology; no compressed air needed
- **Avoid back-feeding of vibration into surrounding machines** thanks to isolation of vibratory platform and feeder base
- **Systematic part orientation** can be achieved with intelligently structured platforms (grooves, holes, nests)
- **Easy configuration** with Feeder Control Center Software

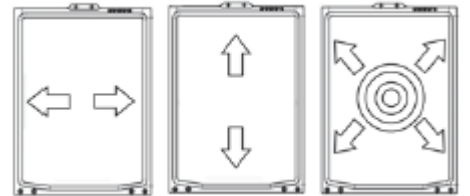
Options:

- **SmartSight** visual part detection system for up to 4 feeders & cameras
- Structured vibration platforms (holes, grooves, various materials)
- Integrated LED backlight (red/ green/ blue/ white/ infrared)
- Expandable with RNA vibration hopper type BVL
- Expandable with other RNA components to a complete feeding system solution
- Connection cables

3-Axis Vibration Technology:

Parts can be moved in all directions thanks to patented 3-axis vibration technology:

- Select the optimal choice of flipping amplitude for each part.
- Combine advanced movements with structured platforms to orient and separate parts.
- Distribute your parts on the surface faster, more gentle and more efficiently than ever.

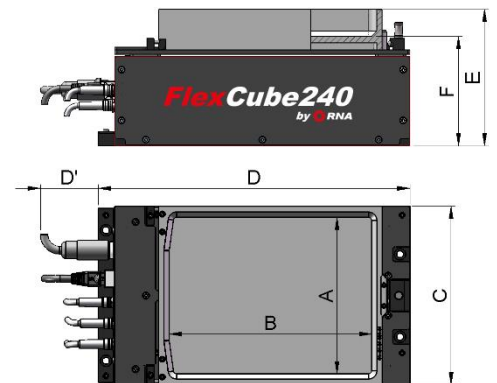


General Features:

- Communication: Ethernet (TCP/IP), Modbus TCP EtherNet/IP, EtherCAT, PROFIBUS, SERCOS
- Power supply: 24V, 4A
- Backlight synchronization input
- I/O for synchronization with up to two hoppers
- Easy mechanical fixation with four M5 screws

Dimensions:

- | | | | |
|----------------------|-----|---------|------------|
| • Vibration platform | A: | 150 mm | 5.9 in |
| | B: | 195 mm | 7.6 in |
| • Footprint | C: | 171 mm | 6.7 in |
| | D: | 300 mm | 11.8 in |
| | D': | 55 mm | 2.2 in |
| • Maximum height | E: | 132 mm | 5.2 in |
| • Pick height | F: | 105 mm | 4.1 in |
| • Typical part size | | 5-40 mm | 0.2-1.5 in |



You can obtain further technical information on +49 (0) 241/5109-261.



Rhein-Nadel Automation GmbH
 Reichsweg 19-23 · D-52068 Aachen
 Telefon: +49 (0)241 / 5109-0 · Fax: +49 (0)241 / 5109-219
 Email: vertrieb@RNA.de · www.RNA.de